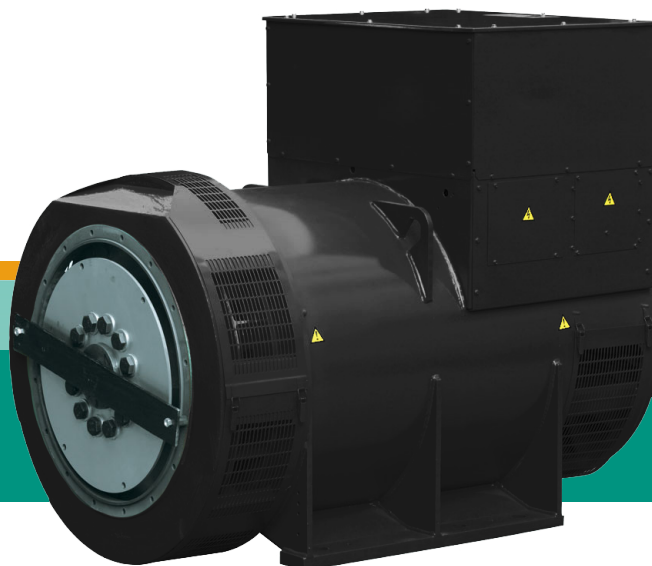


NEW ERA SLG

SERIES THREE-PHASE BRUSHLESS SYNCHRONOUS ALTERNATOR



SLG404 TECHNICAL DATA SHEET

50Hz CLASS "H" 400-200-230 V(Winding No.311) 415-208-240 V(Winding No.311) 440-220-254 V(Winding No.311)

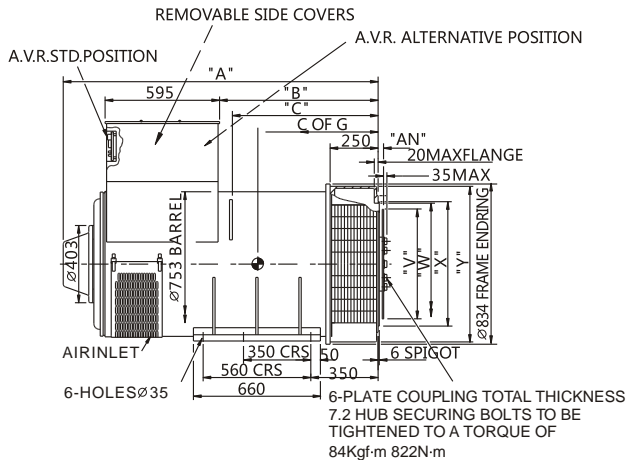
Duty/Temp Rise	Cont./125k/40°C								Standby/150/40°C							
	380		400		415		440		380		400		415		440	
VOLTAGE	KVA	KW	KVA	KW	KVA	KW	KVA	KW	KVA	KW	KVA	KW	KVA	KW	KVA	KW
SLG404G	800	640	810	648	800	640	800	640	825	660	830	664	825	660	820	656
SLG404H	910	728	940	752	910	728	875	700	960	768	980	784	960	768	920	736
SLG404J	1000	800	1030	824	1030	824	1010	808	1060	848	1070	856	1070	856	1060	848
SLG404K	1110	888	1135	908	1110	888	1110	888	1180	944	1190	952	1180	944	1180	944

60Hz CLASS "H" 416-208-240 V(Winding No. 311) 440-220-254 V(Winding No. 311) 460-230-266 V(Winding No. 311) 480-240-277 V(Winding No. 311)

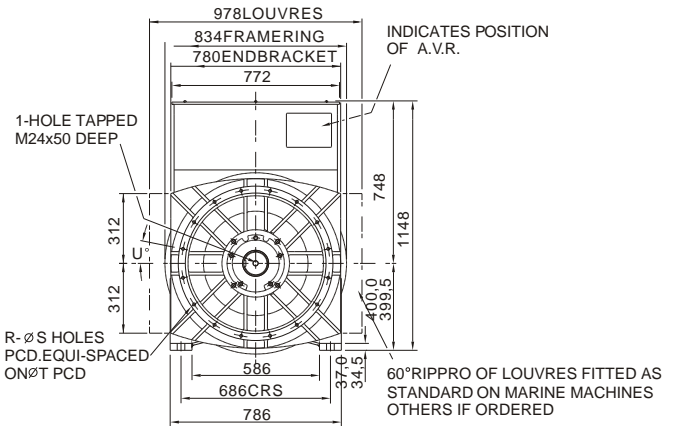
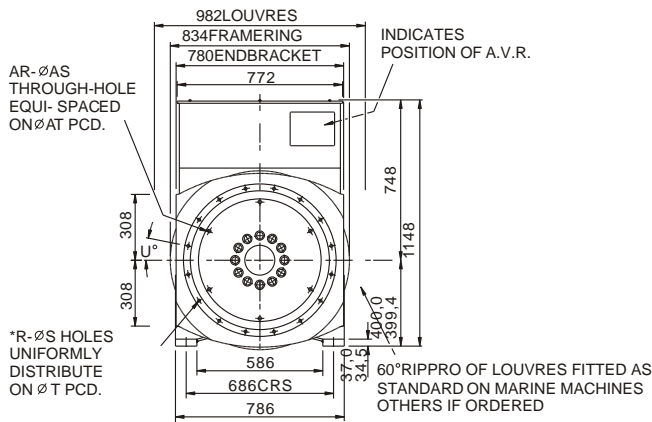
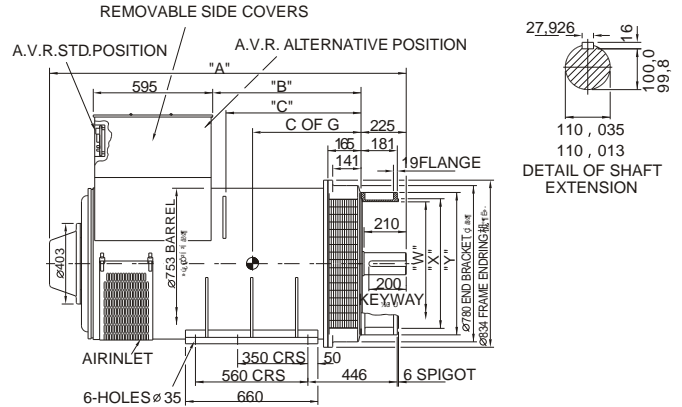
Duty/Temp Rise	Cont./125k/40°C										Standby/150k/40°C									
	380		416		440		460		480		380		416		440		460		480	
VOLTAGE	KVA	KW	KVA	KW	KVA	KW	KVA	KW	KVA	KW	KVA	KW	KVA	KW	KVA	KW	KVA	KW	KVA	KW
SLG404G	875	700	875	700	925	740	963	770	1000	800	913	730	913	730	969	775	1008	806	1046	837
SLG404H	1000	800	1025	820	1063	850	1075	860	1125	900	1050	840	1088	870	1125	900	1138	910	1188	950
SLG404J	1250	1000	1150	920	1200	960	1250	1000	1300	1040	1300	1040	1206	965	1250	1000	1300	1040	1350	1080
SLG404K	1375	1100	1275	1020	1338	1070	1388	1110	1438	1150	1455	1164	1350	1080	1413	1130	1469	1175	1525	1220

SLG404 External dimension

SINGLE BEARING



DOUBLE BEARING



DIMENSION (mm)				
型号 Model	A	B	C	C of G
SLG404G	1548	725	647	680
SLG404H	1548	725	647	690
SLG404J	1548	725	647	705
SLG404K	1649	826	707	730

DIMENSION (mm)				
型号 Model	A	B	C	C of G
SLG404G	1688	640	562	595
SLG404H	1688	640	562	605
SLG404J	1688	640	562	620
SLG404K	1789	741	622	645

FLANGE ADAPTORS (mm)							
SAE. NO.	R	S	T	U °	W	X	Y
00	16	14	851.0	11.25°	772	787.3	883
0	16	14	679.5	11.25°	632	647.6	810
0.5	12	12.7	619.1	15°	569	584.1	780
1	12	12.7	530.2	15°	469	511.1	780

FLANGE (mm)							
SAE. NO.	R	S	T	U °	W	X	Y
00	16	14	851.0	11.25°	768	787.3	882
0	16	14	679.5	11.25°	600	647.6	711
0.5	12	12.7	619.1	15°	569	584.1	648
1	12	12.7	530.2	15°	496	511.1	711

DISC COUPLING (mm)					
SAE. NO.	AN	AR	AS	AT	V
14	25.4	8	13.5	438.2	466.6
18	15.87	6	16.7	543.0	571.4
21	0	12	16.7	641.3	673.0
24	0	12	20.7	692.0	733.3

SINGLE BEARING SAE NO SELECTOR				
	SAE14	SAE18	SAE21	SAE24
SAE 00		•	•	•
SAE 0	•	•		
SAE 0.5	•	•		
SAE 1	•			